



Technical Data

Accuracy: Refer to the list of specifications
 Resolution*: .0005"/0.01mm or 0.001mm, 0.01mm, .00005"/0.001mm
 Dial reading**: .001" or 0.01mm
 Flatness of base face: 5µm
 Contact point: Carbide-tipped ball point or needle point (7210, 7222)
 Measuring force: 1.4N, 1.5N (digital model), 2.5N (7213, 7214, 72175, 72185)
 Display*: LCD
 Battery*: SR44 (1 pc.), 938882
 Battery life*: Approx. 3.5 years under normal use
 *Digital models **Dial models

Technical Data of Dial Mode

Accuracy: Refer to the list of specifications
 Dial reading: .001" or 0.01mm
 Flatness of base face: 5µm or 2µm
 Contact point: Carbide-tipped ball point (needle point: 7210, 7222)
 Measuring force: 1.4N (2.5N: 7213, 7214, 72175, 72185)

Function of Digimatic Model

Origin-set, Zero-setting, Data hold, Data output, inch/mm conversion (on inch/metric models only)
 Alarm: Low voltage, Counting value composition error

Optional Accessories for Digimatic Model

- 905338: SPC cable (40" / 1m)
- 905409: SPC cable (80" / 2m)
- 139167: .5" Extension Rod
- 301655: 1" Extension Rod
- 301657: 2" Extension Rod
- 301659: 4" Extension Rod
- 303611: 10mm Extension Rod
- 303612: 20mm Extension Rod
- 303613: 30mm Extension Rod
- 303614: 100mm Extension Rod

Base Only (3/8" dia. hole)

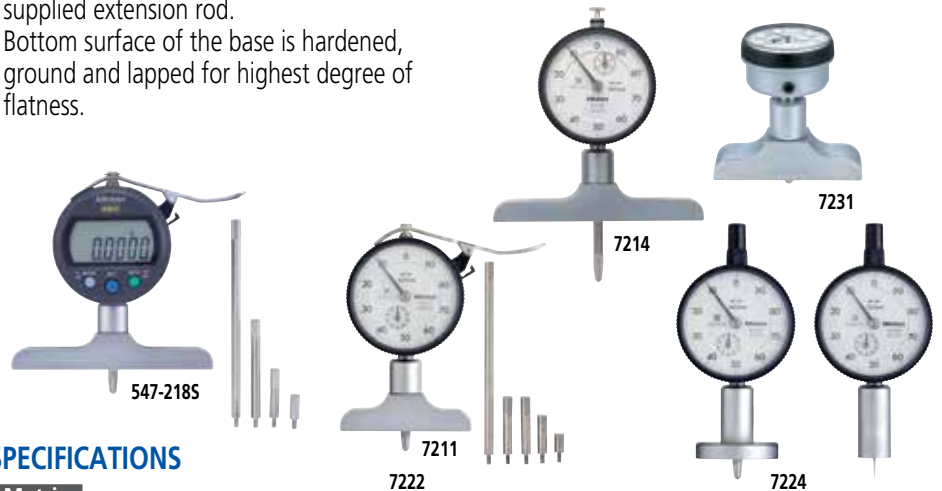
Part No.	length	remark
902164:	2.5"	72175, 7237, 547-2175, 547-2575
902165:	4"	72185, 7238, 547-2185, 547-2585

ABSOLUTE Digimatic/Dial Depth Gage

SERIES 547, 7

FEATURES

- ABSOLUTE Digimatic Depth Gage can keep track of the origin point, once set, for the life of the battery. (Series 547)
- Wide probing range is available with the supplied extension rod.
- Bottom surface of the base is hardened, ground and lapped for highest degree of flatness.
- Designed with a back-plunger type dial indicator for upward facing readings. (7231, 7237, 7238)
- With SPC data output. (Series 547)



SPECIFICATIONS

Metric		Digimatic model						
Range	Order No.	Resolution	Stroke	Accuracy	Extension rod	Base (WxT)	Flatness	
0 - 200mm	547-211	0.01mm	12mm	±0.02mm	5 pcs. (10, 20, 30, 30, 100mm)	63.5x16mm	5µm	
0 - 200mm	547-212	0.01mm	12mm	±0.02mm	5 pcs. (10, 20, 30, 30, 100mm)	101.6x16mm	5µm	
0 - 200mm	547-251	0.001mm	12mm	±0.005mm	5 pcs. (10, 20, 30, 30, 100mm)	63.5x16mm	2µm	
0 - 200mm	547-252	0.001mm	12mm	±0.005mm	5 pcs. (10, 20, 30, 30, 100mm)	101.6x16mm	2µm	

0.01mm graduation 0.001mm graduation

Inch/Metric		Digimatic model						
Range	Order No.	Resolution	Stroke	Accuracy	Extension rod	Base (WxT)	Flatness	
0 - 8" / 0-200mm	547-2175	.0005" / 0.01mm	.5"	±.001"	4 pcs. (.5", 1", 2", 4")	2.5"x.63"	.0002"	
0 - 8" / 0-200mm	547-2185	.0005" / 0.01mm	.5"	±.001"	4 pcs. (.5", 1", 2", 4")	4"x.63"	.0002"	
0 - 8" / 0-200mm	547-2575	.00005" / 0.001mm	.5"	±.0003"	4 pcs. (.5", 1", 2", 4")	2.5"x.63"	.00008"	
0 - 8" / 0-200mm	547-2585	.00005" / 0.001mm	.5"	±.0003"	4 pcs. (.5", 1", 2", 4")	4"x.63"	.00008"	

.005"/0.01mm graduation .00005"/0.001mm graduation

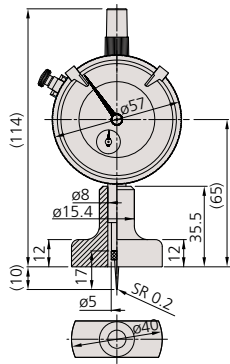
Metric		Dial Type						
Range	Order No.	Graduation	Stroke	Accuracy	Extension rod	Base (WxT)	Flatness	
0 - 10mm	7210*	0.01mm	10mm	±0.015mm	—	40x16mm,	5µm	
0 - 200mm	7211	0.01mm	10mm	±0.015mm	5 pcs. (10, 20, 30, 30, 100mm)	63.5x16mm	5µm	
0 - 200mm	7212	0.01mm	10mm	±0.015mm	5 pcs. (10, 20, 30, 30, 100mm)	101.6x16mm	5µm	
0 - 210mm	7213	0.01mm	30mm	±0.03mm	3 pcs. (30, 60, 90mm)	63.5x16mm	5µm	
0 - 210mm	7214	0.01mm	30mm	±0.03mm	3 pcs. (30, 60, 90mm)	101.6x16mm	5µm	
0 - 200mm	7220	0.01mm	10mm	±0.015mm	5 pcs. (10, 20, 30, 30, 100mm)	100x18mm	5µm	
0 - 200mm	7221	0.01mm	10mm	±0.015mm	5 pcs. (10, 20, 30, 30, 100mm)	150x18mm	5µm	
0 - 10mm	7222*	0.01mm	10mm	±0.015mm	5 pcs. (10, 20, 30, 30, 100mm)	ø16mm	5µm	
0 - 10mm	7223	0.01mm	10mm	±0.015mm	5 pcs. (10, 20, 30, 30, 100mm)	ø25mm	5µm	
0 - 10mm	7224	0.01mm	10mm	±0.015mm	5 pcs. (10, 20, 30, 30, 100mm)	ø40mm	5µm	
0 - 200mm	7231	0.01mm	5mm	±0.015mm	5 pcs. (10, 20, 30, 30, 100mm)	63.5x16mm	5µm	

*with needle probe

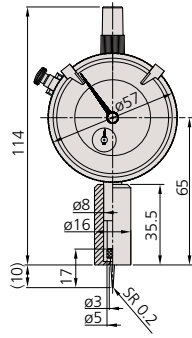
Inch		Dial Type						
Range	Order No.	Graduation	Stroke	Accuracy	Extension rod	Base (WxT)	Flatness	
0 - 8"	72175	.001"	1"	±.002"	4 pcs. (.5", 1", 2", 4")	2.5"x.63"	.0002"	
0 - 8"	72185	.001"	1"	±.002"	4 pcs. (.5", 1", 2", 4")	4"x.63"	.0002"	
0 - 8"	7237T	.001"	.2"	±.002"	4 pcs. (.5", 1", 2", 4")	2.5"x.63"	.0002"	
0 - 8"	7238T	.001"	.2"	±.002"	4 pcs. (.5", 1", 2", 4")	4"x.63"	.0002"	

DIMENSIONS

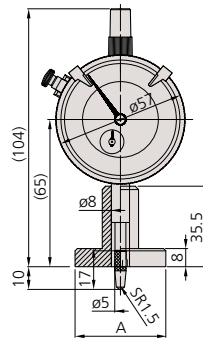
Unit: mm



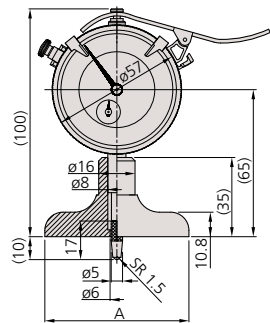
7210



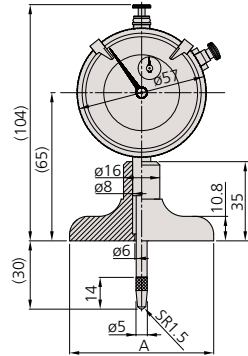
7222



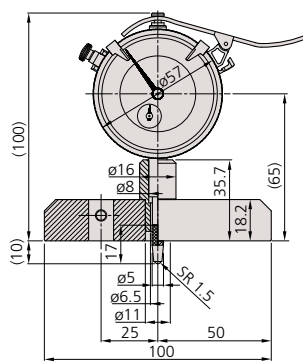
7223 A= $\varnothing 25$ mm
7224 A= $\varnothing 40$ mm



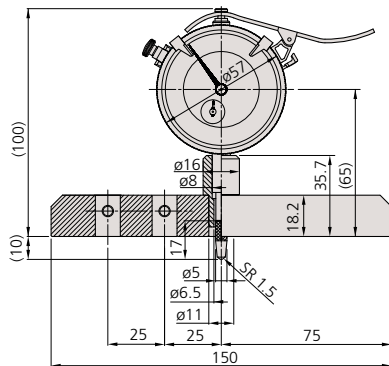
7211 A= 63.5mm
7212 A= 101.6mm



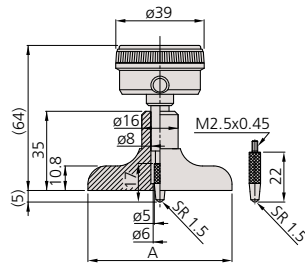
7213, 7217S A= 63.5mm
7214, 7218S A= 101.6mm



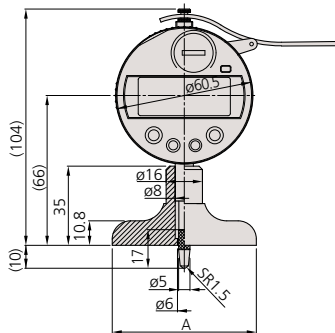
7220



7221



7237T, 7231 A=63.5mm
7238T A=101.6mm



547-211, 547-251, 547-217S, 547-257S A= 63.5mm
547-212, 547-252, 547-218S, 547-258S A= 101.6mm

