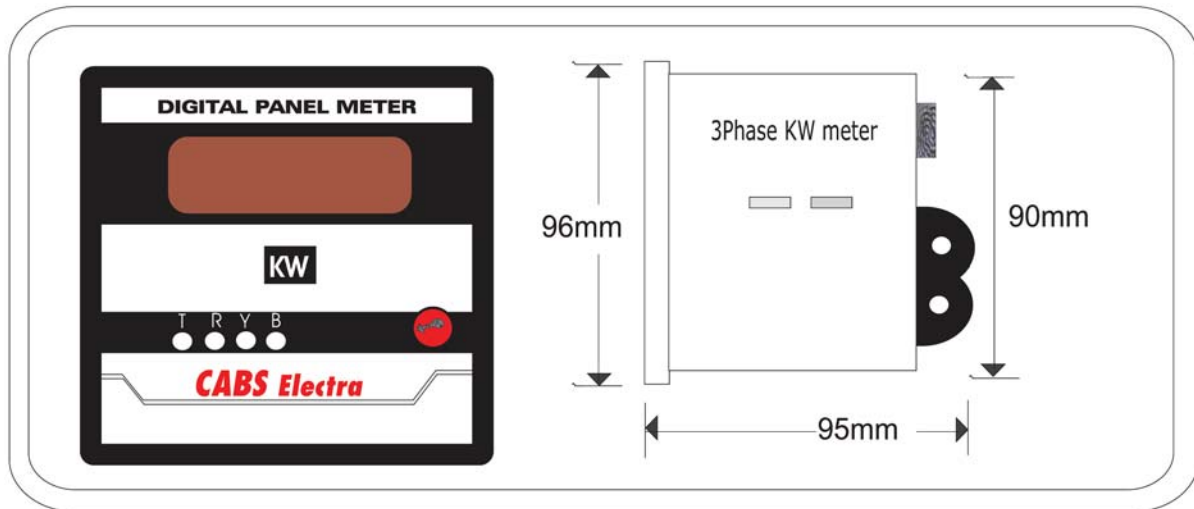
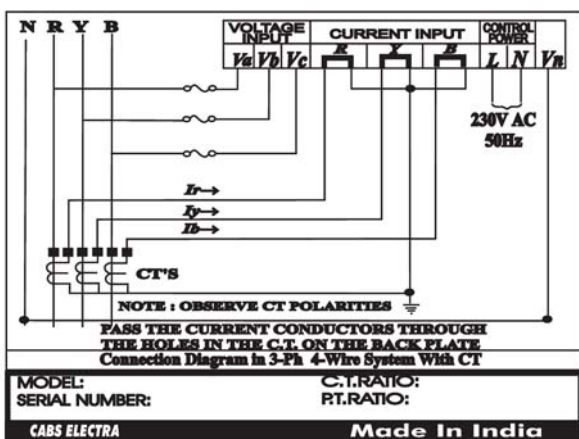


FEATURES

The CE03** series of Kilowatt meters are microprocessor based instruments that measure Active Power. They are suitable for direct line applications or for use in a HV system in conjunction with a CT having a 1Amp or 5Amp CT secondary and PT having a 110V secondary. The measured Kilowatt is continuously displayed in a 3 & 1/2-digit LED display on its front panel. A minimum of 10% or full load current is required for proper meter operation.



CONNECTION DIAGRAM



MODEL	RANGE	SYSTEM VOLTAGE	ACCURACY	RESOLUTION
CE 0304W	0-9999.9KW	400V, 3-PH, 4-wire with CT,	± 1% of F/S	1% of
CE 0303W	1.0-9999MW	HV system with CT & PT	± 1 COUNT	full scale

TECHNICAL SPECIFICATIONS

Input Impedance	0.002 ohm for current circuit 1 Meg. ohm for voltage circuit.
Control Power	230 V Max phase to neutral at any voltage terminal
Current Input	7A Max continuous at any current terminal
CT secondary	5 Amp or 1Amp (on order)
Operating Temperature	0°C to 70°C
Storage Temperature	- 20°C to 85°C
Relative Humidity	95%
Dielectric	2 KV for 1 minute

*Technical Specifications & Appearance are subject to change without prior notice