

Outside Micrometers

SERIES 340, 104 — with Interchangeable Anvils, Metric Model



FEATURES

- IP65 water/dust protection (Series 340*).
*Models with a range up to 300mm.
- Wide measuring range with interchangeable anvils.
- With a ratchet stop for constant force.
- Supplied with zero-setting standards bar for each range.
- With SPC output (Series 340).
- Supplied in fitted wooden case.

Digital model



SPECIFICATIONS

Metric Digital model

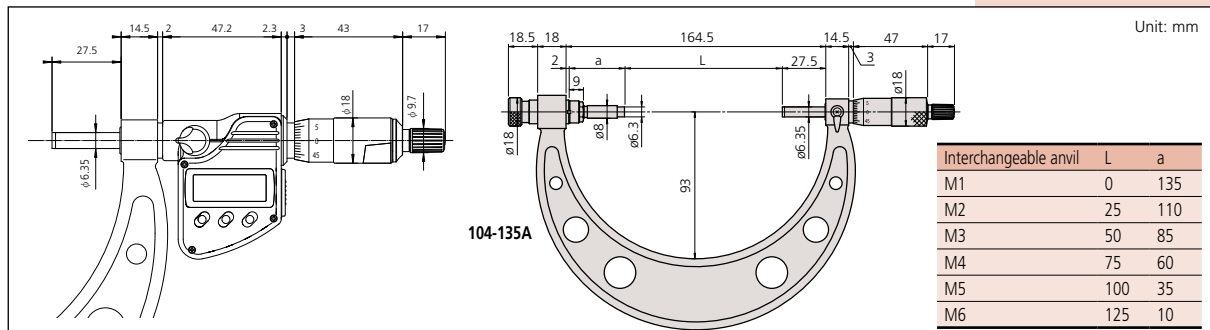
Range	Resolution	Order No.	Mass (kg)	Remarks
0 - 150mm	0.001mm	340-251-30	0.96	with 6 anvils & 5 standards
150 - 300mm	0.001mm	340-252-30	1.88	with 6 anvils & 6 standards
300 - 400mm	0.001mm	340-520	3.31	with 4 anvils & 4 standards
400 - 500mm	0.001mm	340-521	4.81	with 4 anvils & 4 standards
500 - 600mm	0.001mm	340-522	6.35	with 4 anvils & 4 standards
600 - 700mm	0.001mm	340-523	7.72	with 4 anvils & 4 standards
700 - 800mm	0.001mm	340-524	9.08	with 4 anvils & 4 standards
800 - 900mm	0.001mm	340-525	10.41	with 4 anvils & 4 standards
900 - 1000mm	0.001mm	340-526	11.78	with 4 anvils & 4 standards

Metric

Range	Graduation	Order No.	Mass (kg)	Remarks
0 - 50mm	0.01mm	104-171*	0.32	with 2 anvils & 1 standard
0 - 100mm	0.01mm	104-139A	0.79	with 4 anvils & 3 standards
0 - 150mm	0.01mm	104-135A	1.35	with 6 anvils & 5 standards
50 - 150mm	0.01mm	104-161A	1.35	with 4 anvils & 4 standards
100 - 200mm	0.01mm	104-140A	1.38	with 4 anvils & 4 standards
150 - 300mm	0.01mm	104-136A	2.65	with 6 anvils & 6 standards
200 - 300mm	0.01mm	104-141A	2.22	with 4 anvils & 4 standards
300 - 400mm	0.01mm	104-142A	3.31	with 4 anvils & 4 standards
400 - 500mm	0.01mm	104-143A	4.81	with 4 anvils & 4 standards
500 - 600mm	0.01mm	104-144A	6.35	with 4 anvils & 4 standards
600 - 700mm	0.01mm	104-145A	7.72	with 4 anvils & 4 standards
700 - 800mm	0.01mm	104-146A	9.08	with 4 anvils & 4 standards
800 - 900mm	0.01mm	104-147A	10.41	with 4 anvils & 4 standards
900 - 1000mm	0.01mm	104-148A	11.78	with 4 anvils & 4 standards

*The frame is in a heat-insulated cover.

DIMENSIONS



Technical Data

Accuracy: $\pm(4+R/75)\mu\text{m}$, R=max. range (mm)
 Resolution*: 0.001mm
 Graduation***: 0.01mm
 Flatness: 0.6 μm for models up to 300mm
 1 μm for models over 300mm
 Parallelism: 2 μm for models up to 75mm
 3 μm for models up to 150mm
 (2+R/100) μm for models over 150mm, R=max. range (mm)

Measuring faces: Carbide tipped (spindle only)
 Display*: LCD
 Battery*: SR44 (1 pc.), **938882**
 Battery life*: Approx. 2.4 years (1.8 years for models over 300mm) years under normal use
 Dust/Water protection level*: IP65 (up to 300mm)
 *Digital models **Analog models

Function of Digital Model

Zero / ABS, Data hold, Preset, Data output, inch/mm conversion (on inch/metric models only)
 Function Lock, 2 Presets
 Alarm: Low voltage, Counting value composition error

Optional Accessories for Digital Model

- 05CZA662:** SPC cable with data switch (40" / 1m)
 - 05CZA663:** SPC cable with data switch (80" / 2m)
 - 959149:** SPC cable Straight type (40"/1m)*
 - 959150:** SPC cable Straight type (80"/2m)*
 - 04AZB512:** SPC cable L-type (40"/1m)*
 - 04AZB513:** SPC cable L-type (80"/2m)*
- * models over 300mm