

Coolant-proof Micrometer

SERIES 293 — with Dust/Water Protection Conforming to IP65 Level

FEATURES

- IP65 protection level, enabling use in environments exposed to cutting oil, etc*.
*Anti-corrosion treatment is required after use.
- Measurement data output function is available with a water-resistant connection cable.
- Auto power ON/OFF function.
- A nonslip surface with raised dots is employed for the frame cover and surface panel to achieve stable handheld measurement.
- Certificate of inspection* is included. (2" /50mm or less range models)**
*It is not the type used to obtain calibration certificates.
** except 293-349-30
- With a standard bar except for 0-1" /0-25mm model.
- Supplied in fitted case. Plastic case up to 6" /150mm, wooden box over 6" /150mm.



293-330-30



293-252-30



Oil-resistant materials are used in all plastic components.



Measurement data output function is available with a water-resistant connection cable.



Employed nonslip surface with raised dots



Mitutoyo		CERTIFICATE OF INSPECTION / 検査成績書	
1. Item / 品名	Digital Micrometer	Inspected Value / 検査値	0.20mm
Model Name / 型番	293-330	Manufacturer / 製造元	Mitutoyo
Lot No. / ロット番号	293-330	Date / 日付	2023/08/01
2. Name of Inspector / 検査員氏名	Y. Y. Y.	Standard Temperature / 標準温度	20 °C
3. Name of Inspected Part / 検査対象品名		Inspected Part / 検査対象品	
4. Name of Inspected Part / 検査対象品名		Inspected Part / 検査対象品	
5. Name of Inspected Part / 検査対象品名		Inspected Part / 検査対象品	
6. Name of Inspected Part / 検査対象品名		Inspected Part / 検査対象品	
7. Name of Inspected Part / 検査対象品名		Inspected Part / 検査対象品	
8. Name of Inspected Part / 検査対象品名		Inspected Part / 検査対象品	
9. Name of Inspected Part / 検査対象品名		Inspected Part / 検査対象品	
10. Name of Inspected Part / 検査対象品名		Inspected Part / 検査対象品	
11. Name of Inspected Part / 検査対象品名		Inspected Part / 検査対象品	
12. Name of Inspected Part / 検査対象品名		Inspected Part / 検査対象品	
13. Name of Inspected Part / 検査対象品名		Inspected Part / 検査対象品	
14. Name of Inspected Part / 検査対象品名		Inspected Part / 検査対象品	
15. Name of Inspected Part / 検査対象品名		Inspected Part / 検査対象品	
16. Name of Inspected Part / 検査対象品名		Inspected Part / 検査対象品	
17. Name of Inspected Part / 検査対象品名		Inspected Part / 検査対象品	
18. Name of Inspected Part / 検査対象品名		Inspected Part / 検査対象品	
19. Name of Inspected Part / 検査対象品名		Inspected Part / 検査対象品	
20. Name of Inspected Part / 検査対象品名		Inspected Part / 検査対象品	
21. Name of Inspected Part / 検査対象品名		Inspected Part / 検査対象品	
22. Name of Inspected Part / 検査対象品名		Inspected Part / 検査対象品	
23. Name of Inspected Part / 検査対象品名		Inspected Part / 検査対象品	
24. Name of Inspected Part / 検査対象品名		Inspected Part / 検査対象品	
25. Name of Inspected Part / 検査対象品名		Inspected Part / 検査対象品	
26. Name of Inspected Part / 検査対象品名		Inspected Part / 検査対象品	
27. Name of Inspected Part / 検査対象品名		Inspected Part / 検査対象品	
28. Name of Inspected Part / 検査対象品名		Inspected Part / 検査対象品	
29. Name of Inspected Part / 検査対象品名		Inspected Part / 検査対象品	
30. Name of Inspected Part / 検査対象品名		Inspected Part / 検査対象品	
31. Name of Inspected Part / 検査対象品名		Inspected Part / 検査対象品	
32. Name of Inspected Part / 検査対象品名		Inspected Part / 検査対象品	
33. Name of Inspected Part / 検査対象品名		Inspected Part / 検査対象品	
34. Name of Inspected Part / 検査対象品名		Inspected Part / 検査対象品	
35. Name of Inspected Part / 検査対象品名		Inspected Part / 検査対象品	
36. Name of Inspected Part / 検査対象品名		Inspected Part / 検査対象品	
37. Name of Inspected Part / 検査対象品名		Inspected Part / 検査対象品	
38. Name of Inspected Part / 検査対象品名		Inspected Part / 検査対象品	
39. Name of Inspected Part / 検査対象品名		Inspected Part / 検査対象品	
40. Name of Inspected Part / 検査対象品名		Inspected Part / 検査対象品	
41. Name of Inspected Part / 検査対象品名		Inspected Part / 検査対象品	
42. Name of Inspected Part / 検査対象品名		Inspected Part / 検査対象品	
43. Name of Inspected Part / 検査対象品名		Inspected Part / 検査対象品	
44. Name of Inspected Part / 検査対象品名		Inspected Part / 検査対象品	
45. Name of Inspected Part / 検査対象品名		Inspected Part / 検査対象品	
46. Name of Inspected Part / 検査対象品名		Inspected Part / 検査対象品	
47. Name of Inspected Part / 検査対象品名		Inspected Part / 検査対象品	
48. Name of Inspected Part / 検査対象品名		Inspected Part / 検査対象品	
49. Name of Inspected Part / 検査対象品名		Inspected Part / 検査対象品	
50. Name of Inspected Part / 検査対象品名		Inspected Part / 検査対象品	
51. Name of Inspected Part / 検査対象品名		Inspected Part / 検査対象品	
52. Name of Inspected Part / 検査対象品名		Inspected Part / 検査対象品	
53. Name of Inspected Part / 検査対象品名		Inspected Part / 検査対象品	
54. Name of Inspected Part / 検査対象品名		Inspected Part / 検査対象品	
55. Name of Inspected Part / 検査対象品名		Inspected Part / 検査対象品	
56. Name of Inspected Part / 検査対象品名		Inspected Part / 検査対象品	
57. Name of Inspected Part / 検査対象品名		Inspected Part / 検査対象品	
58. Name of Inspected Part / 検査対象品名		Inspected Part / 検査対象品	
59. Name of Inspected Part / 検査対象品名		Inspected Part / 検査対象品	
60. Name of Inspected Part / 検査対象品名		Inspected Part / 検査対象品	
61. Name of Inspected Part / 検査対象品名		Inspected Part / 検査対象品	
62. Name of Inspected Part / 検査対象品名		Inspected Part / 検査対象品	
63. Name of Inspected Part / 検査対象品名		Inspected Part / 検査対象品	
64. Name of Inspected Part / 検査対象品名		Inspected Part / 検査対象品	
65. Name of Inspected Part / 検査対象品名		Inspected Part / 検査対象品	
66. Name of Inspected Part / 検査対象品名		Inspected Part / 検査対象品	
67. Name of Inspected Part / 検査対象品名		Inspected Part / 検査対象品	
68. Name of Inspected Part / 検査対象品名		Inspected Part / 検査対象品	
69. Name of Inspected Part / 検査対象品名		Inspected Part / 検査対象品	
70. Name of Inspected Part / 検査対象品名		Inspected Part / 検査対象品	
71. Name of Inspected Part / 検査対象品名		Inspected Part / 検査対象品	
72. Name of Inspected Part / 検査対象品名		Inspected Part / 検査対象品	
73. Name of Inspected Part / 検査対象品名		Inspected Part / 検査対象品	
74. Name of Inspected Part / 検査対象品名		Inspected Part / 検査対象品	
75. Name of Inspected Part / 検査対象品名		Inspected Part / 検査対象品	
76. Name of Inspected Part / 検査対象品名		Inspected Part / 検査対象品	
77. Name of Inspected Part / 検査対象品名		Inspected Part / 検査対象品	
78. Name of Inspected Part / 検査対象品名		Inspected Part / 検査対象品	
79. Name of Inspected Part / 検査対象品名		Inspected Part / 検査対象品	
80. Name of Inspected Part / 検査対象品名		Inspected Part / 検査対象品	
81. Name of Inspected Part / 検査対象品名		Inspected Part / 検査対象品	
82. Name of Inspected Part / 検査対象品名		Inspected Part / 検査対象品	
83. Name of Inspected Part / 検査対象品名		Inspected Part / 検査対象品	
84. Name of Inspected Part / 検査対象品名		Inspected Part / 検査対象品	
85. Name of Inspected Part / 検査対象品名		Inspected Part / 検査対象品	
86. Name of Inspected Part / 検査対象品名		Inspected Part / 検査対象品	
87. Name of Inspected Part / 検査対象品名		Inspected Part / 検査対象品	
88. Name of Inspected Part / 検査対象品名		Inspected Part / 検査対象品	
89. Name of Inspected Part / 検査対象品名		Inspected Part / 検査対象品	
90. Name of Inspected Part / 検査対象品名		Inspected Part / 検査対象品	
91. Name of Inspected Part / 検査対象品名		Inspected Part / 検査対象品	
92. Name of Inspected Part / 検査対象品名		Inspected Part / 検査対象品	
93. Name of Inspected Part / 検査対象品名		Inspected Part / 検査対象品	
94. Name of Inspected Part / 検査対象品名		Inspected Part / 検査対象品	
95. Name of Inspected Part / 検査対象品名		Inspected Part / 検査対象品	
96. Name of Inspected Part / 検査対象品名		Inspected Part / 検査対象品	
97. Name of Inspected Part / 検査対象品名		Inspected Part / 検査対象品	
98. Name of Inspected Part / 検査対象品名		Inspected Part / 検査対象品	
99. Name of Inspected Part / 検査対象品名		Inspected Part / 検査対象品	
100. Name of Inspected Part / 検査対象品名		Inspected Part / 検査対象品	

Certificate of inspection

Technical Data

- Accuracy: Refer to the list of specifications.
- Resolution: .00005" / 0.001mm or 0.001mm (up to 4" models)
.0001" / 0.001mm (over 4" models)
- Flatness: .000012" / 0.3µm
- Parallelism: .00004" / 1µm for models up to 2" / 50mm
.00008" / 2µm for models up to 4" / 100mm
.00012" / 3µm for models up to 7" / 175mm
.00016" / 4µm for models up to 11" / 275mm
.0002" / 5µm for models over 12" / 300mm
- Measuring faces: Carbide tipped
- Display: LCD
- Battery: SR44 (1 pc.), **938882**
- Battery life: Approx. 2.4 years under normal use
- Dust/Water protection level: IP65

Function

- Origin-set, Zero / ABS, Hold, Auto power on/off,
- Data output (output models),
- inch/mm conversion (on inch/metric models only)
- Alarm: Low voltage, Counting value composition error

Optional Accessories

- 05CZA662:** SPC cable with data switch (40" / 1m)
- 05CZA663:** SPC cable with data switch (80" / 2m)



SPC cable with data switch

SPECIFICATIONS

Metric With ratchet stop

Range	Resolution	Order No.	Accuracy
0 - 25mm	0.001mm	293-230-30 / 293-240-30*	±1µm
25 - 50mm	0.001mm	293-231-30 / 293-241-30*	±1µm
50 - 75mm	0.001mm	293-232-30 / 293-242-30*	±1µm
75 - 100mm	0.001mm	293-233-30 / 293-243-30*	±2µm
100 - 125mm	0.001mm	293-250-30	±2µm
125 - 150mm	0.001mm	293-251-30	±2µm
150 - 175mm	0.001mm	293-252-30	±3µm
175 - 200mm	0.001mm	293-253-30	±3µm
200 - 225mm	0.001mm	293-254-30	±3µm
225 - 250mm	0.001mm	293-255-30	±4µm
250 - 275mm	0.001mm	293-256-30	±4µm
275 - 300mm	0.001mm	293-257-30	±4µm

*without SPC data output

Metric With ratchet thimble

Range	Resolution	Order No.	Accuracy
0 - 25mm	0.001mm	293-234-30 / 293-244-30*	±1µm
25 - 50mm	0.001mm	293-235-30 / 293-245-30*	±1µm
50 - 75mm	0.001mm	293-236-30 / 293-246-30*	±1µm
75 - 100mm	0.001mm	293-237-30 / 293-247-30*	±2µm

*without SPC data output

Metric Micrometer Set

Range	Order No.	Included in set
0-50mm (2pcs. Set)	293-966-30	293-230-30, 293-231-30, 25mm CERA block, plastic case
0-75mm (3pcs. Set)	293-962-30	293-230-30, 293-231-30, 293-232-30, 2 standard bars, plastic case
0-100mm (4pcs. Set)	293-963-30	293-230-30, 293-231-30, 293-232-30, 293-233-30, 3 standard bars, wooden box

Inch/Metric With ratchet stop

Range	Resolution	Order No.	Accuracy
0 - 1" / 0 - 25.4mm	.00005"/0.001mm	293-330-30 / 293-340-30*	±.00005"
1" - 2" / 25.4 - 50.8mm	.00005"/0.001mm	293-331-30 / 293-341-30*	±.00005"
2" - 3" / 50.8 - 76.2mm	.00005"/0.001mm	293-332-30 / 293-342-30*	±.00005"
3" - 4" / 76.2 - 101.6mm	.00005"/0.001mm	293-333-30 / 293-343-30*	±.0001"
4" - 5" / 101.6 - 127.0mm	.0001"/0.001mm	293-350-30	±.0001"
5" - 6" / 127.0 - 152.4mm	.0001"/0.001mm	293-351-30	±.0001"
6" - 7" / 152.4 - 177.8mm	.0001"/0.001mm	293-352-30	±.00015"
7" - 8" / 177.8 - 203.2mm	.0001"/0.001mm	293-353-30	±.00015"
8" - 9" / 203.2 - 228.6mm	.0001"/0.001mm	293-354-30	±.00015"
9" - 10" / 228.6 - 254.0mm	.0001"/0.001mm	293-355-30	±.0002"
10" - 11" / 254.0 - 279.4mm	.0001"/0.001mm	293-356-30	±.0002"
11" - 12" / 279.4 - 304.8mm	.0001"/0.001mm	293-357-30	±.0002"

*without SPC data output

Inch/Metric With ratchet thimble

Range	Resolution	Order No.	Accuracy
0 - 1" / 0 - 25.4mm	.00005" / 0.001mm	293-334-30 / 293-344-30*	±.00005"
0 - 1" / 0 - 25.4mm	.0001" / 0.001mm	293-349-30*	±.0001"
1" - 2" / 25.4 - 50.8mm	.00005" / 0.001mm	293-345-30*	±.00005"
2" - 3" / 50.8 - 76.2mm	.00005" / 0.001mm	293-346-30*	±.00005"
3" - 4" / 76.2 - 101.6mm	.00005" / 0.001mm	293-347-30*	±.0001"

*without SPC data output

Inch/Metric With friction thimble

Range	Resolution	Order No.	Accuracy
0 - 1" / 0 - 25.4mm	.00005" / 0.001mm	293-335-30 / 293-348-30*	±.00005"
1" - 2" / 25.4 - 50.8mm	.00005" / 0.001mm	293-336-30	±.00005"

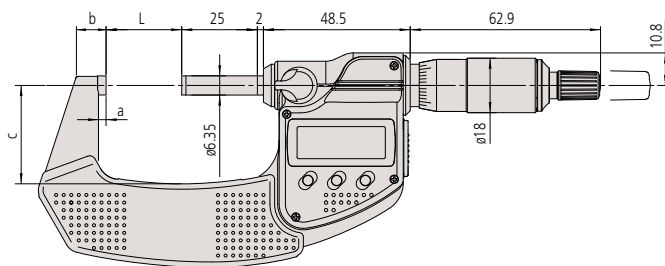
*without SPC data output

Inch/Metric Micrometer Set .00005" / 0.001mm graduation model

Range	Order No.	Included in set
0 - 3" / 0 - 76.2mm (3 pcs. set)	293-960-30	293-330-30, 293-331-30, 293-332-30, 2 standard bars, plastic case
0 - 4" / 0 - 101.6mm (4 pcs. set)	293-961-30	293-330-30, 293-331-30, 293-332-30, 293-333-30, 3 standard bars, wooden box

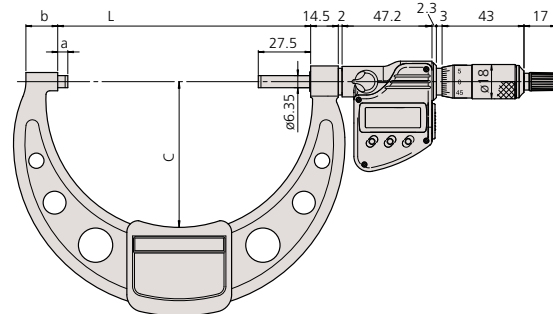
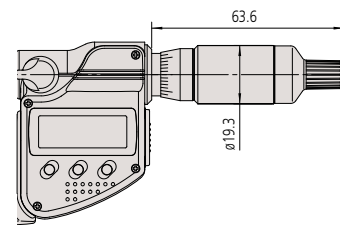
DIMENSIONS AND MASS

Ratchet-stop type (up to 100mm/4")



Ratchet-thimble type and friction-thimble type

Unit: mm



Ratchet stop type (over 100mm/4" to 300mm/12")

Range (Metric / Inch)	L	a	b	c	Mass (g)
0 - 25mm / 0-1"	0	2.5	9	(25)	270
25 - 50mm / 1-2"	25	2.5	9.8	(32.5)	330
50 - 75mm / 2-3"	50	2.5	12.6	(47)	470
75 - 100mm / 3-4"	75	2.5	14	(60)	625
100 - 125mm / 4-5"	132.8	5.3	16.7	(76.5)	600
125 - 150mm / 5-6"	158.2	5.7	18.8	(91)	740
150 - 175mm / 6-7"	183.6	6.1	19.1	(103.1)	800
175 - 200mm / 7-8"	208.8	6.3	18.2	(115.3)	970
200 - 225mm / 8-9"	234.2	6.7	16.8	(126.8)	1100
225 - 250mm / 9-10"	258	5.5	18	(139.8)	1270
250 - 275mm / 10-11"	284	18	28	(152.3)	1340
275 - 300mm / 11-12"	309	18	28	(166)	1540

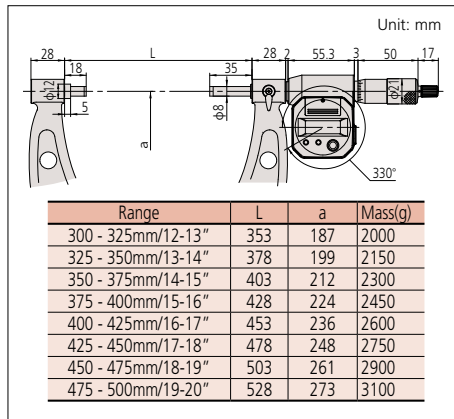
Digimatic Micrometer

SERIES 293



293-582

DIMENSIONS



SPECIFICATIONS

Metric With ratchet stop			
Range	Resolution	Order No.	Accuracy
300 - 325mm	0.001mm	293-582	±6μm
325 - 350mm	0.001mm	293-583	±6μm
350 - 375mm	0.001mm	293-584	±6μm
375 - 400mm	0.001mm	293-585	±7μm
400 - 425mm	0.001mm	293-586	±7μm
425 - 450mm	0.001mm	293-587	±7μm
450 - 475mm	0.001mm	293-588	±8μm
475 - 500mm	0.001mm	293-589	±8μm

Inch/Metric With ratchet stop			
Range	Resolution	Order No.	Accuracy
12" - 13" / 304.8 - 330.2mm	.0001" / 0.001mm	293-782	±.0003"
13" - 14" / 330.2 - 355.6mm	.0001" / 0.001mm	293-783	±.0003"
14" - 15" / 355.6 - 381.0mm	.0001" / 0.001mm	293-784	±.0003"
15" - 16" / 381.0 - 406.4mm	.0001" / 0.001mm	293-785	±.00035"
16" - 17" / 406.4 - 431.8mm	.0001" / 0.001mm	293-786	±.00035"
17" - 18" / 431.8 - 457.2mm	.0001" / 0.001mm	293-787	±.00035"
18" - 19" / 457.2 - 482.6mm	.0001" / 0.001mm	293-788	±.0004"
19" - 20" / 482.6 - 508.0mm	.0001" / 0.001mm	293-789	±.0004"

Technical Data

Accuracy: Refer to the list of specifications.
 Resolution: .0001"/0.001mm or 0.001mm
 Flatness: .000024" / 0.6μm
 Parallelism: .0002"/5μm for models up to 15"/375mm
 .00024"/6μm for models up to 19"/475mm
 .00028"/7μm for models over 20"/500mm
 Measuring faces: Carbide tipped
 Display: LCD
 Battery: SR44 (2 pcs.), **938882**
 Battery life: Approx. 1.8 years under normal use

Function

Preset, Zero-setting, Power ON/OFF, Data hold, Data output, inch/mm conversion (on inch/metric models only)
 Alarm: Low voltage, Counting value composition error

Optional Accessories

959149: SPC cable (40"/1m) Straight type
959150: SPC cable (80"/2m) Straight type
04AZB512: SPC cable L-type (40"/1m)
04AZB513: SPC cable L-type (80"/2m)



Digimatic Micrometer

SERIES 293 MDC-Lite

FEATURES

- Provided only with zero set and in/mm (inch/metric models only) keys.
- A ratchet stop or friction thimble for a constant measuring force.
- Measurement readout with large characters on the LCD.
- No spindle clamp. No data output.
- Supplied in fitted plastic case.



293-831-30



SPECIFICATIONS

Metric With ratchet stop			
Range	Resolution	Order No.	Accuracy
0 - 25mm	0.001mm	293-821-30	±2μm

Inch/Metric With ratchet stop			
Range	Resolution	Order No.	Accuracy
0 - 1" / 0 - 25.4mm	.00005" / 0.001mm	293-831-30	±.0001"

Inch/Metric With friction thimble			
Range	Resolution	Order No.	Accuracy
0 - 1" / 0 - 25.4mm	.00005" / 0.001mm	293-832-30	±.0001"

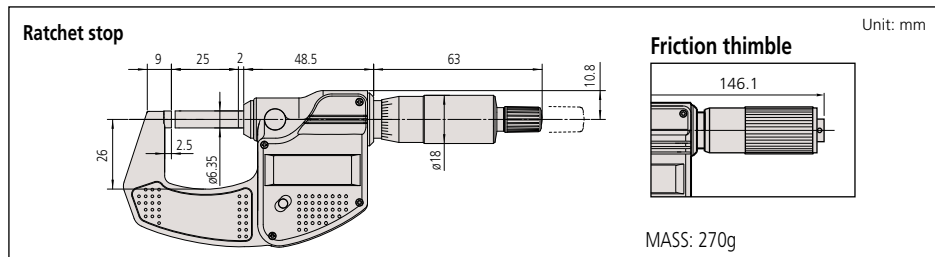
Technical Data

Accuracy: Refer to the list of specifications
 Resolution: .00005"/0.001mm or 0.001mm
 Flatness: .000012" / 0.3μm
 Parallelism: .00008" / 2μm
 Measuring faces: Carbide tipped
 Display: LCD
 Battery: SR44 (1 pc.), **938882**
 Battery life: Approx. 2.4 years under normal use

Function

Origin-set, Automatic power on/off, inch/mm conversion (on inch/metric models only)
 Alarm: Low voltage, Counting value composition error

DIMENSIONS AND MASS



MDH Micrometer

SERIES 293 — High-Accuracy Sub-Micron Digimatic Micrometer

Technical Data

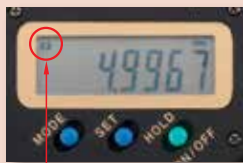
Flatness: 0.3µm/0.00012"
 Parallelism: 0.6µm/0.00024
 Measuring force: 7 to 9N
 Power supply: Lithium battery 05SAA217 (CR2032) x 1
 Battery life: Approx. two years when used under normal conditions

Functions

Preset (ABS measurement system)
 Zero-setting (INC measurement system)
 Hold, Resolution switching, Function lock, On/off, Auto power off, Measurement data output, Error alarm

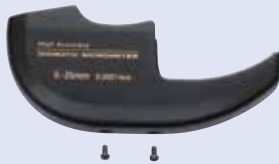
Optional Accessories

05CZA662: SPC cable with data switch (1m/40")
 05CZA663: SPC cable with data switch (2m/80")



Function lock

Heat shield



FEATURES

- Enabling .000005"/0.1µm resolution measurement, this micrometer is ideal for customers who need to make highly accurate measurements with a handheld tool.
- A highly rigid frame and high-performance constant-force mechanism* enable more stable measurements, while the clicks emitted while the workpiece is being measured assure the operator that measurement is proceeding normally.

* Patent pending in Japan, the United States of America, the European Union and China.

- Body heat transferred to the instrument is reduced by a (removable) heat shield, minimizing the error caused by thermal expansion of the frame when performing handheld measurements.
- The ABS (absolute) rotary sensor also eliminates the need to perform origin setting each time the power is turned on, letting you start measuring right away. With no possibility of overspeed errors, the High-Accuracy Digimatic Micrometer also delivers a high level of reliability.



293-130

SPECIFICATIONS

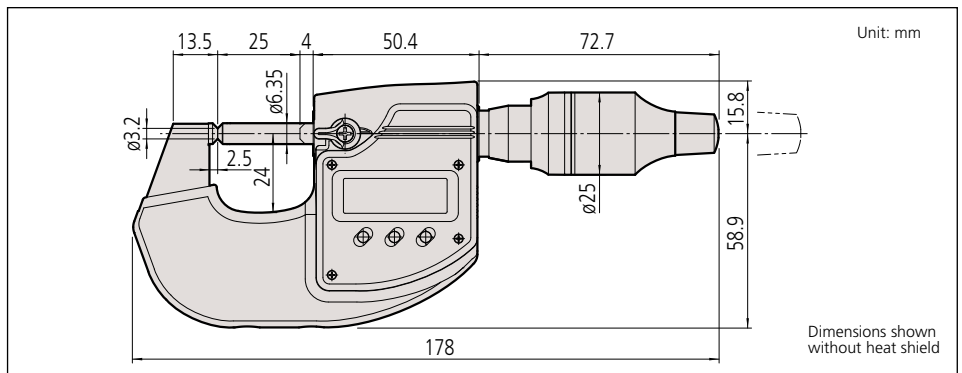
Metric

Order No.	Range	Resolution	Accuracy	Measuring surface	Mass
293-100	0 - 25mm	0.0001mm/0.0005mm (switchable)	±0.5µm	ø3.2mm	400g (440g w/Heat shield)

Inch/Metric

Order No.	Range	Resolution	Accuracy	Measuring surface	Mass
293-130	0 - 1" / 0 - 25.4mm	.000005"/.00002" / 0.0001mm/0.0005mm (switchable)	±.00002"	ø3.2mm	400g (440g w/Heat shield)

DIMENSIONS



QuantuMike

SERIES 293 — Coolant-proof Micrometer

FEATURES

- Faster measurement with 2mm per revolution instead of the standard 0.5mm.
- A patented ratchet thimble mechanism helps ensure repeatability.
- A function lock helps prevent error.
- IP-65 protection level.
- Certificate of inspection provided.
- With a standard bar except for 0-25mm/0-1" model.
- Supplied in fitted plastic case.



293-180



293-142

SPECIFICATIONS

Metric			
Range	Resolution	Order No.	Accuracy
0-25mm	0.001mm	293-140	1µm
0-25mm	0.001mm	293-145*	1µm
25-50mm	0.001mm	293-141	1µm
25-50mm	0.001mm	293-146*	1µm
50-75mm	0.001mm	293-142	2µm
50-75mm	0.001mm	293-147*	2µm
75-100mm	0.001mm	293-143	2µm
75-100mm	0.001mm	293-148*	2µm

* without SPC data output

Inch/Metric			
Range	Resolution	Order No.	Accuracy
0-1"/0 - 25.4mm	.00005"/0.001mm	293-180	.00005"
0-1"/0 - 25.4mm	.00005"/0.001mm	293-185*	.00005"
1-2"/25.4 - 50.8mm	.00005"/0.001mm	293-181	.00005"
1-2"/25.4 - 50.8mm	.00005"/0.001mm	293-186*	.00005"
2-3"/50.8 - 76.2mm	.00005"/0.001mm	293-182	.0001"
2-3"/50.8 - 76.2mm	.00005"/0.001mm	293-187*	.0001"
3-4"/76.2 - 101.6mm	.00005"/0.001mm	293-183	.0001"
3-4"/76.2 - 101.6mm	.00005"/0.001mm	293-188*	.0001"

* without SPC data output

DIMENSIONS AND MASS

Unit: mm

Range	L	a	b	Mass(g)
0-25mm/0-1"	0	9	25	265
25-50mm/1-2"	25	9.8	32	325
50-75mm/2-3"	50	12.6	47	465
75-100mm/3-4"	75	14	60	620

Model=25-50mm/1-2"



Certificate of inspection

Technical Data

Accuracy: Refer to the list of specifications
 Resolution: 0.001mm or .00005"/0.001mm
 Flatness: 0.3µm/.000012"
 Parallelism: 1µm/.00004" for models up to 50mm/2"
 2µm/.00008" for models up to 100mm/4"
 Measuring force: 7-12N
 Measuring faces: Carbide tipped
 Display: LCD
 Battery: SR44 (1 pc.), **938882**
 Battery life: Approx. 1.2 years under normal use
 Dust/Water protection level: IP65

Function

Origin-set, Zero / ABS, Hold, Function lock, Auto power on/off, Data output (output models), inch/mm conversion (on inch/metric models only)
 Alarm: Low voltage, Counting value composition error

Optional Accessories

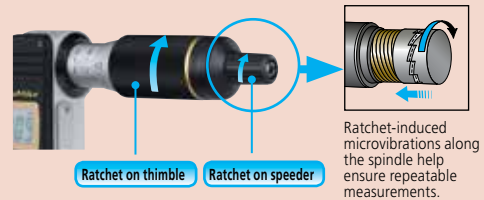
- 05CZA662:** SPC cable with data switch (1m/40")
- 05CZA663:** SPC cable with data switch (2m/80")



SPC cable with data switch

516-529-26 Inspection Gage Block Set
 Rectangular Steel Gage Block
 10 pc. blocks and 1 pc. optical parallel

516-319-26 Inspection Gage Block Set
 Rectangular Cera Gage Block
 10 pc. blocks and 1 pc. optical parallel



Significant reduction in positioning time

