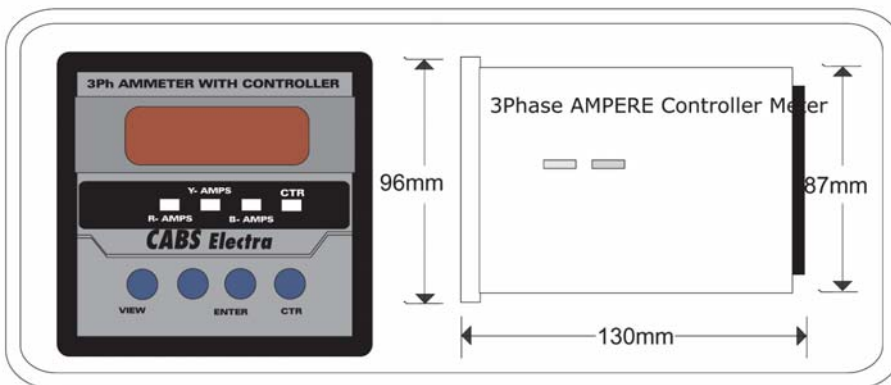


INTRODUCTION

The CE 03** series of Ammeter Controllers are microprocessor based instruments that measure the three phase currents. They are suitable for direct line applications or for use in a High current system in conjunction with a CT having a 1Amp or 5Amp CT secondary. The measured current is continuously displayed in a 4 digit LED display on its front panel. A minimum of 10% of full load current is required for proper meter operation. These meters also have the special feature of controlling the Amps of a system in INCREASING Mode.

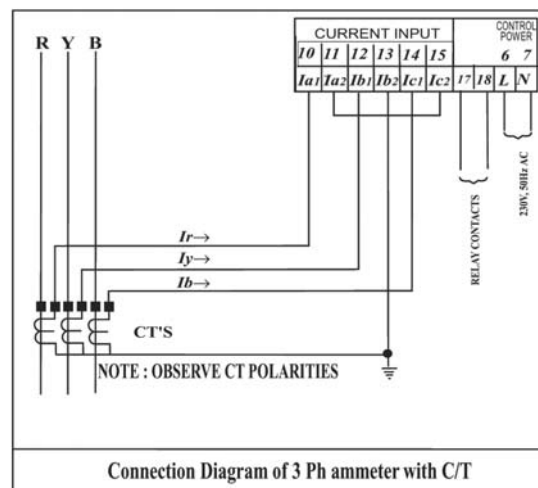
These meters have a built in Reed Relay which offers potential free contacts for operating external relays with an external circuitry. The contact of this Relay gets OFF whenever the preset value of Current is reached. The Value of Preset Current can be set with the help of the buttons provided on the front panel of the meter/controller. The CT ratio can also be user set with the help of the buttons provided. The controllers are very useful for load control in industries which actually help in conserving Electricity.



CONNECTION DIAGRAM :

TECHNICAL SPECIFICATIONS

Input Impedance	0.002 ohm for current circuit
Control Power	230 Volt AC \pm 10%, 50/60 Hz, 3VA
Current Input	7A Max continuous at any current terminal
CT secondary	5 Amp or 1Amp (on order)
Relay Contacts	Max 6 Volts DC, 150mA
Environmental	
Operating Temperature	0°C to 70°C
Storage Temperature	-20°C to 85°C
Relative Humidity	95%
Dielectric	2 KV for 1 minute



*Technical Specifications & Appearance are subject to change without prior notice